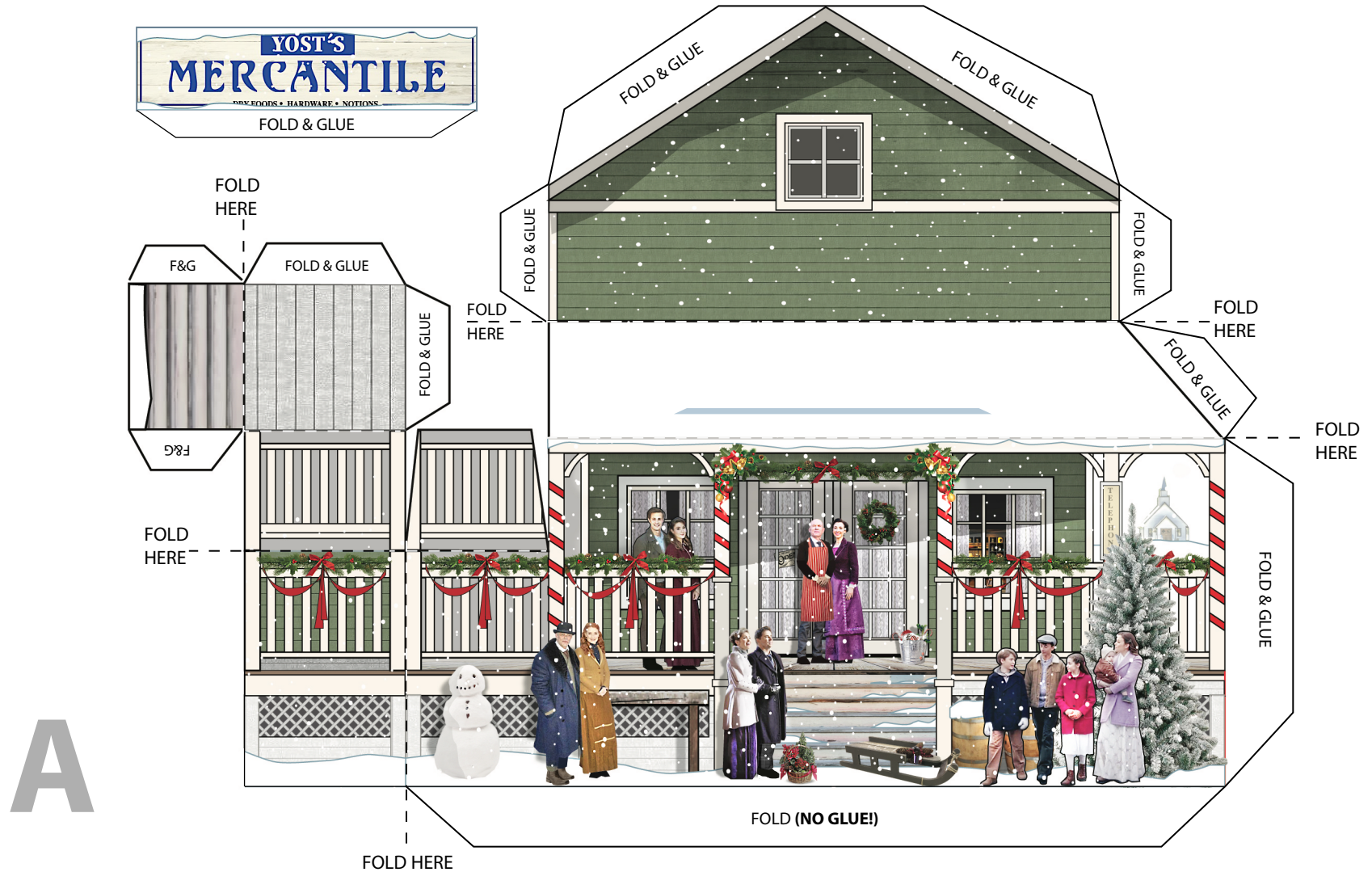
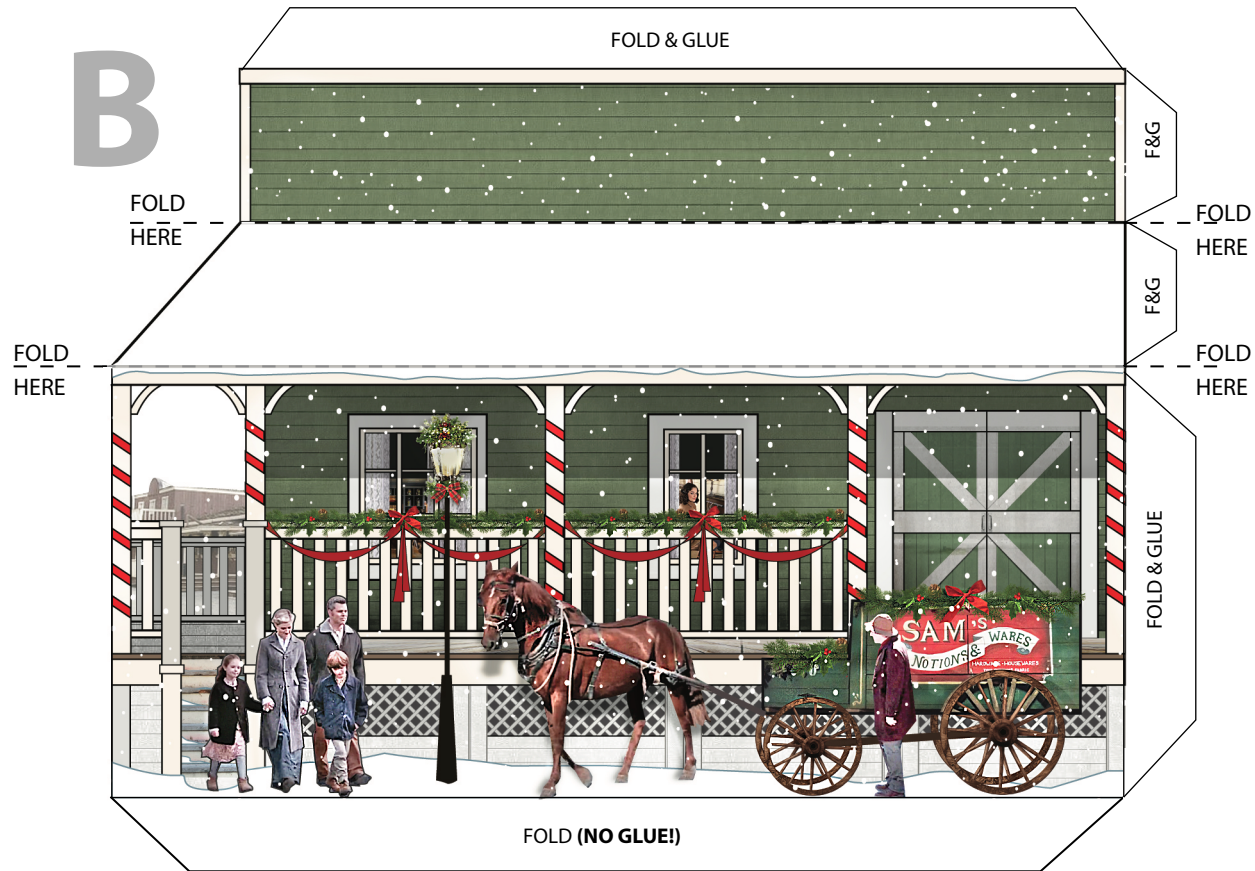


Hope Valley Mercantile Christmas

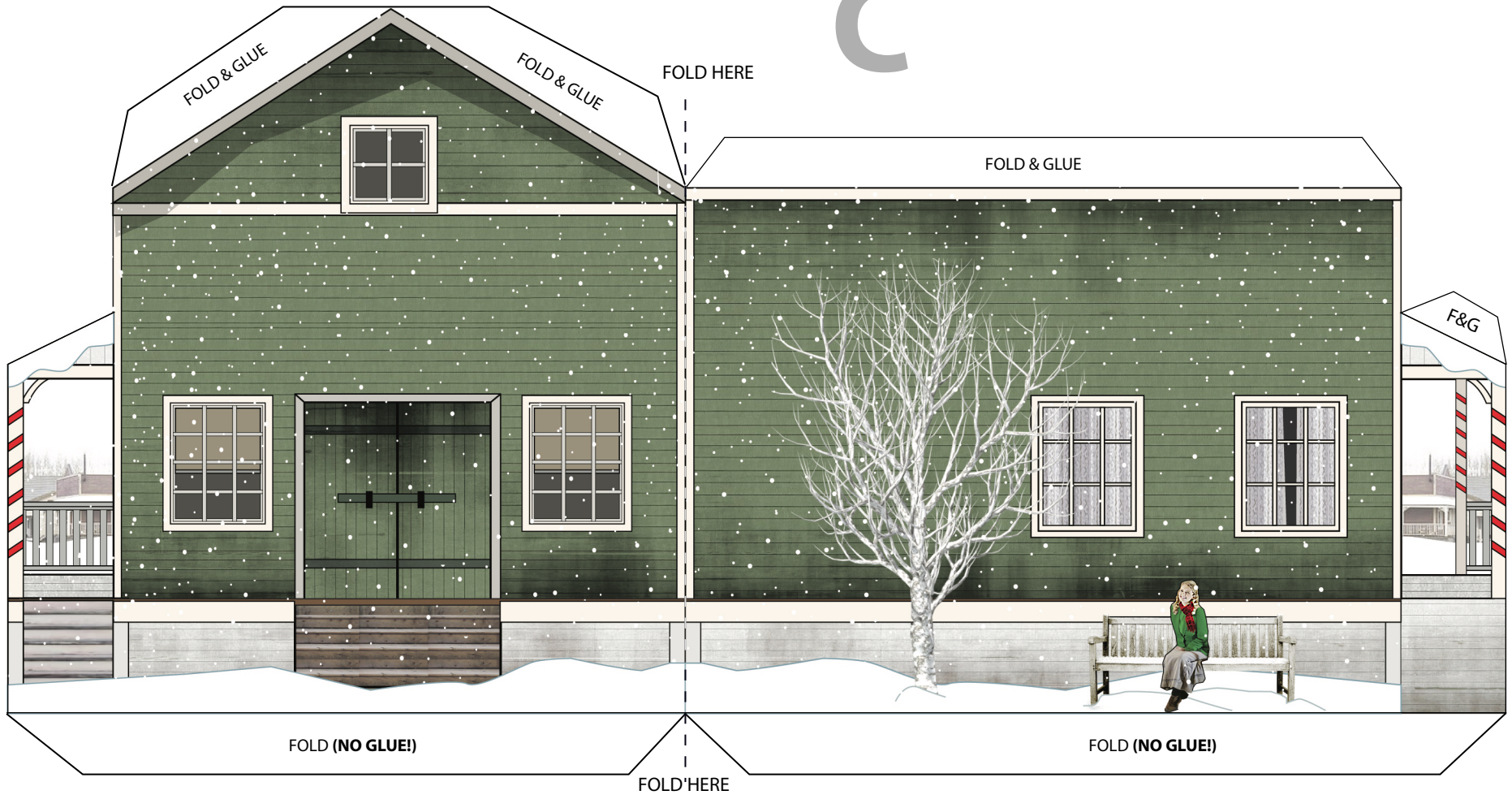
FREE MINIATURE PAPER MODEL

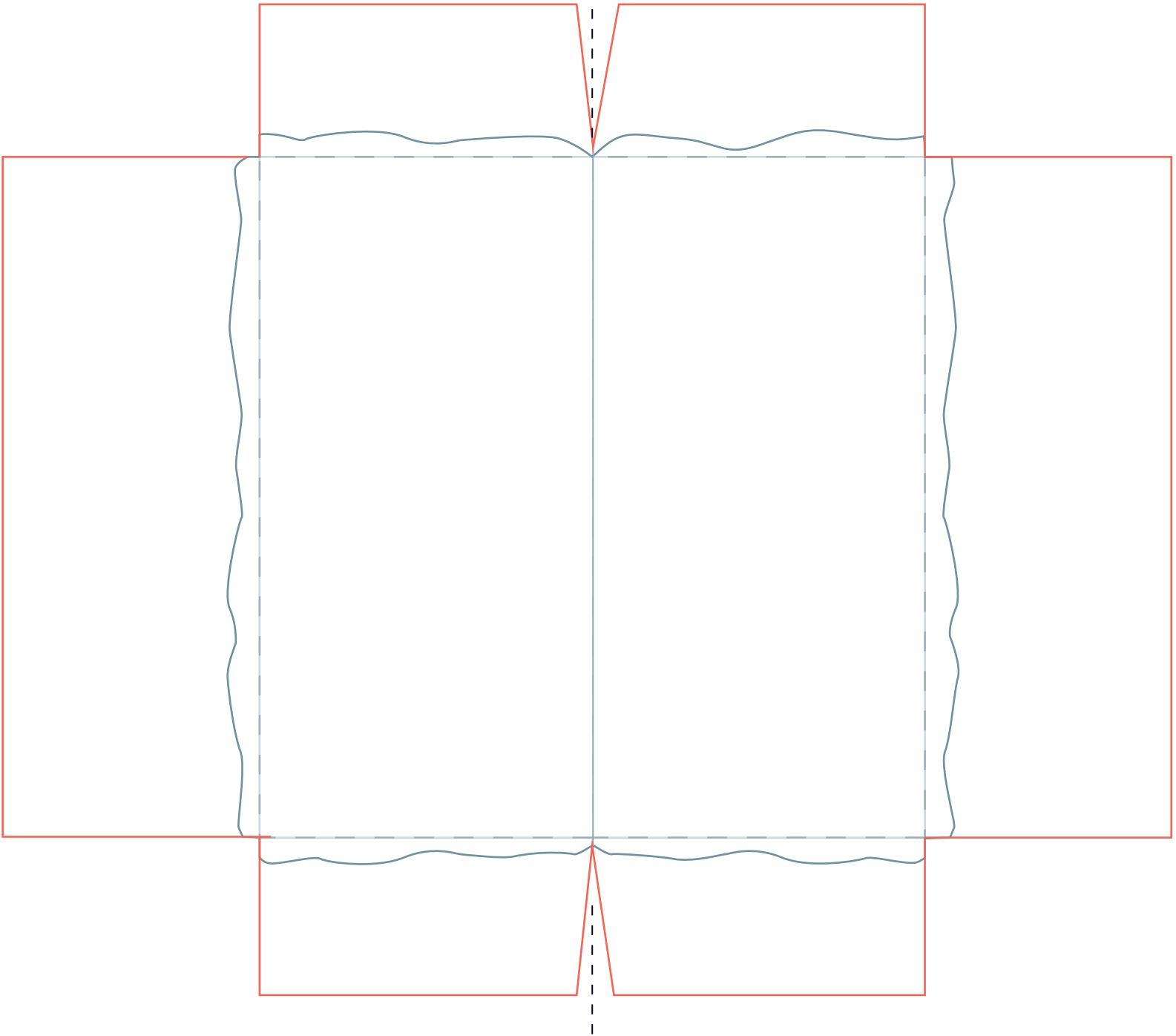
PRINT IN ORDINARY PAPER, FOLD ON ALL DOTTED LINES,
USE GLUE STICK. <https://hopevalleyprintables.wordpress.com>

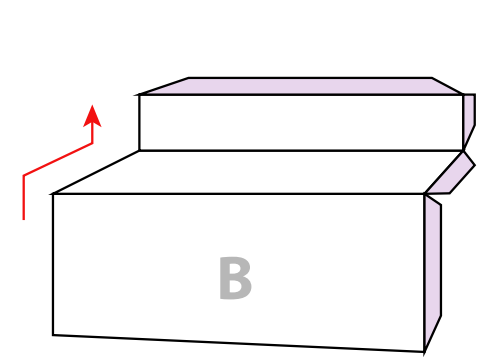
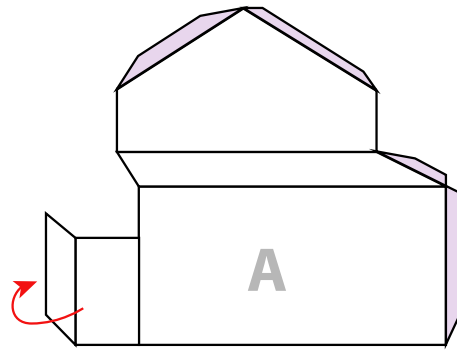
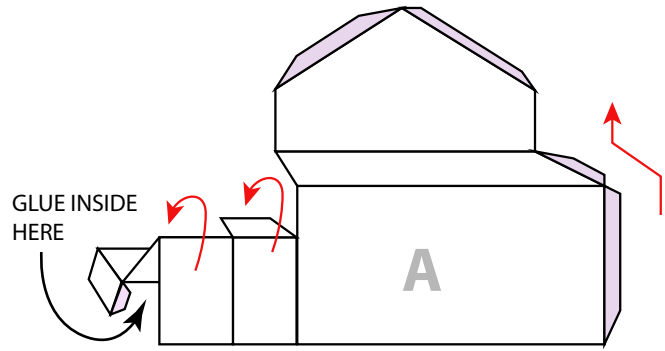




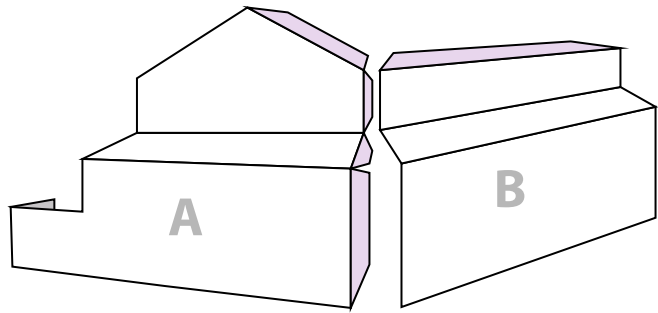
C



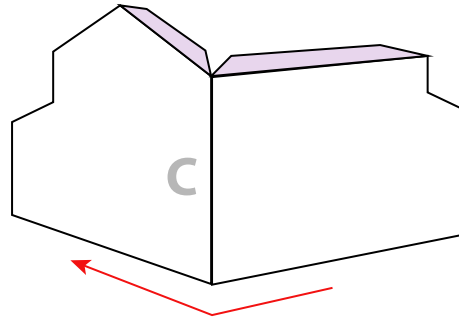




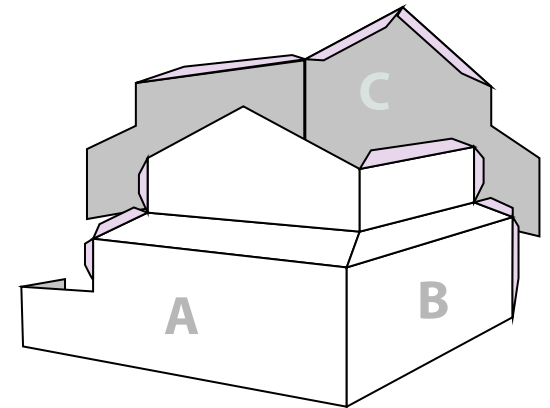
GLUE "A" and "B" TOGETHER



FOLD "C"



GLUE "A-B" to "C"



ROOF

FOLD DOWN THE AREA MARK WITH RED, CUT EXCESS OF PAPER (AFTER FOLDING!) LEAVING JUST THE FOLDED EAVES

