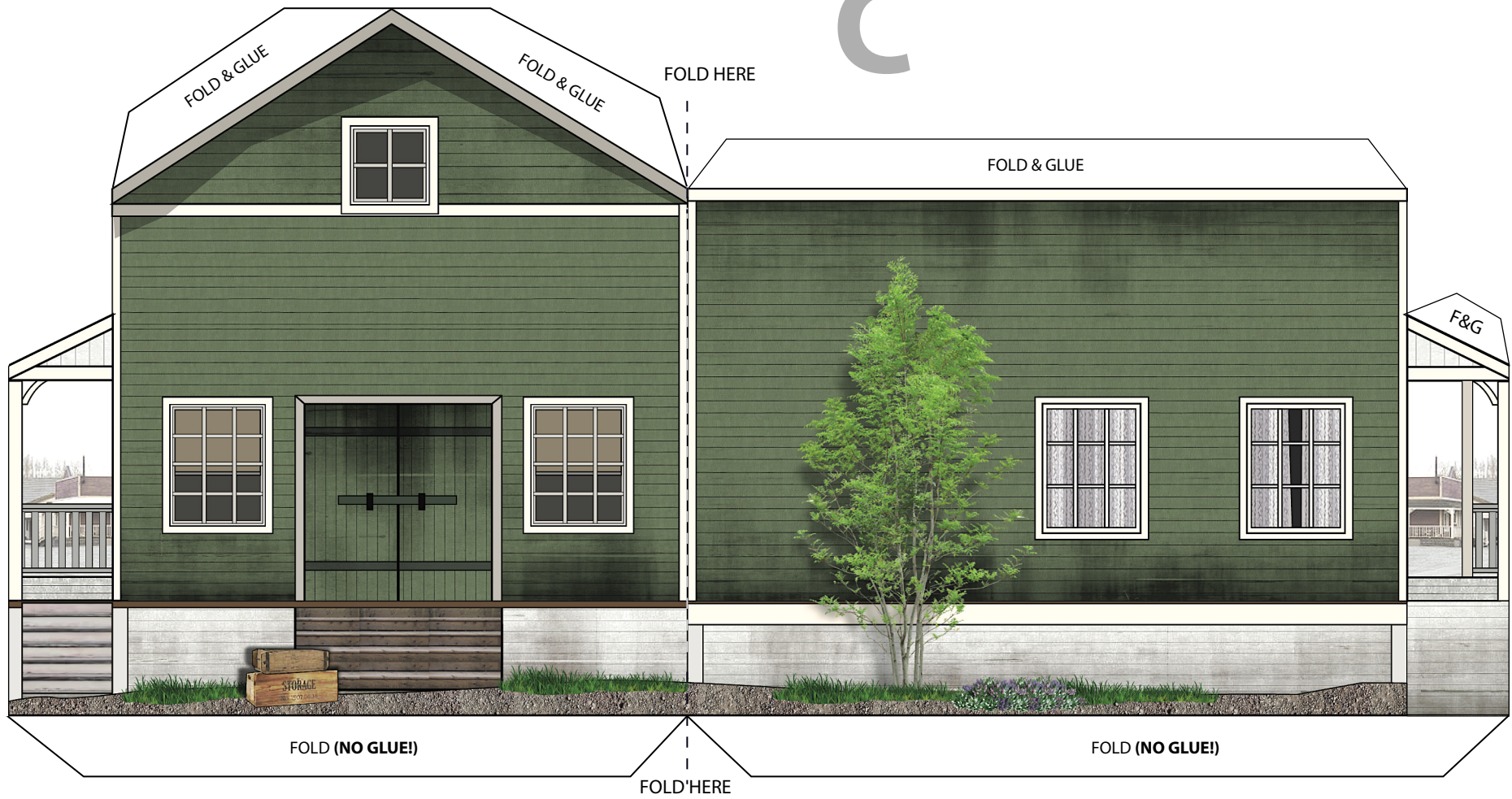
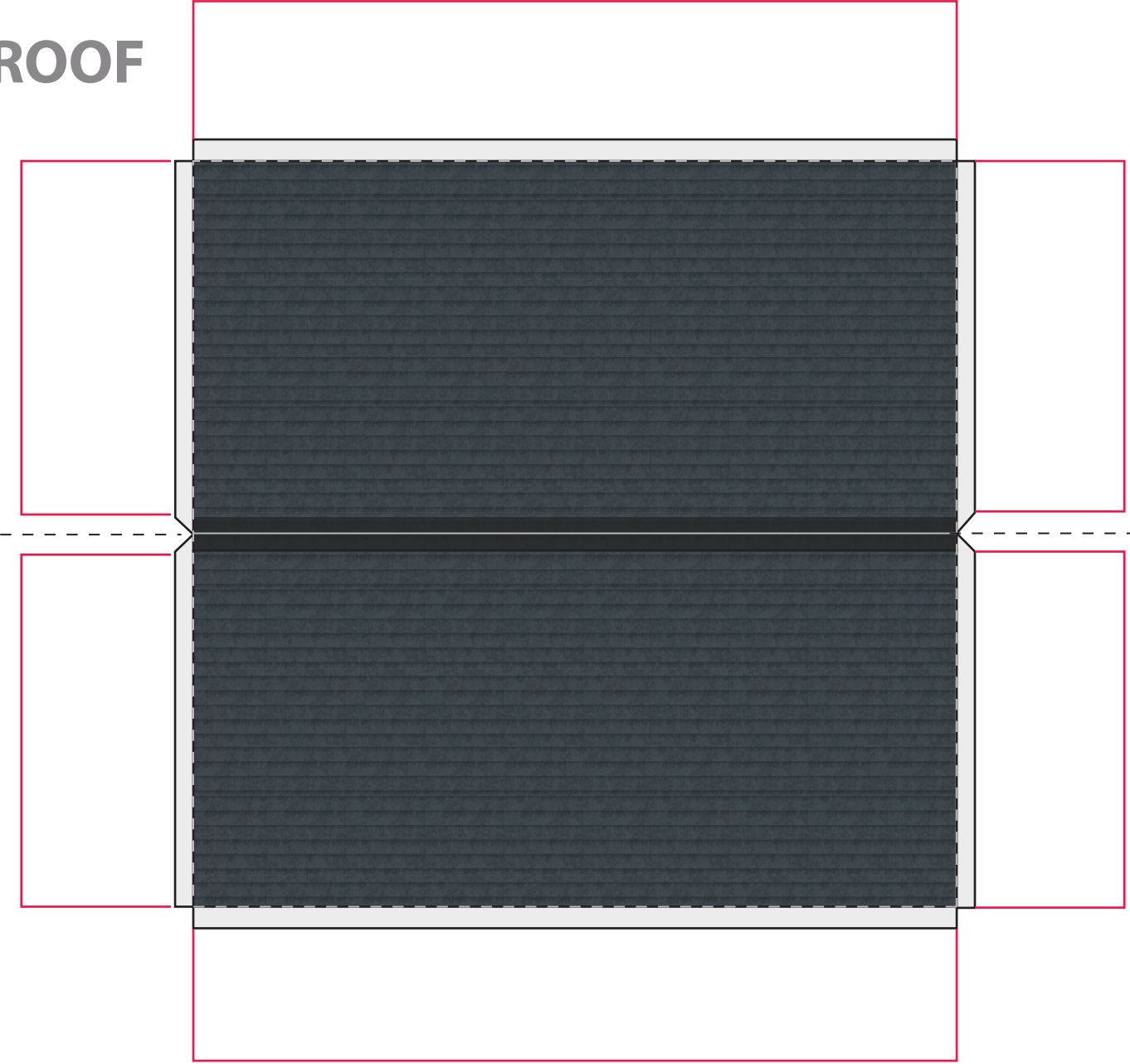


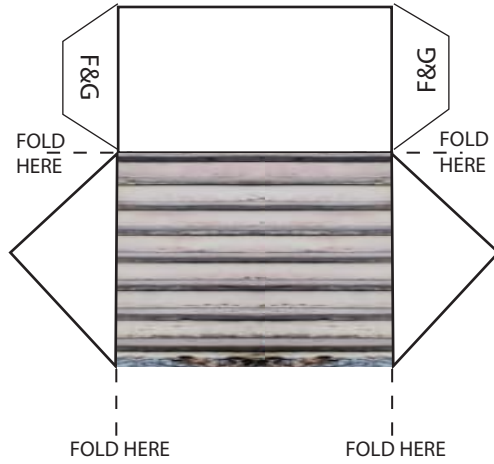
C



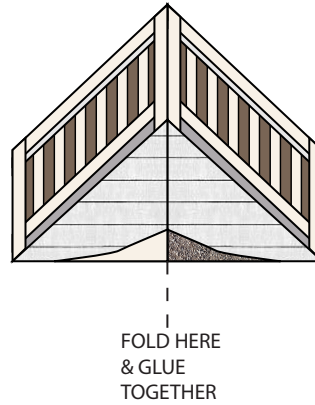
ROOF



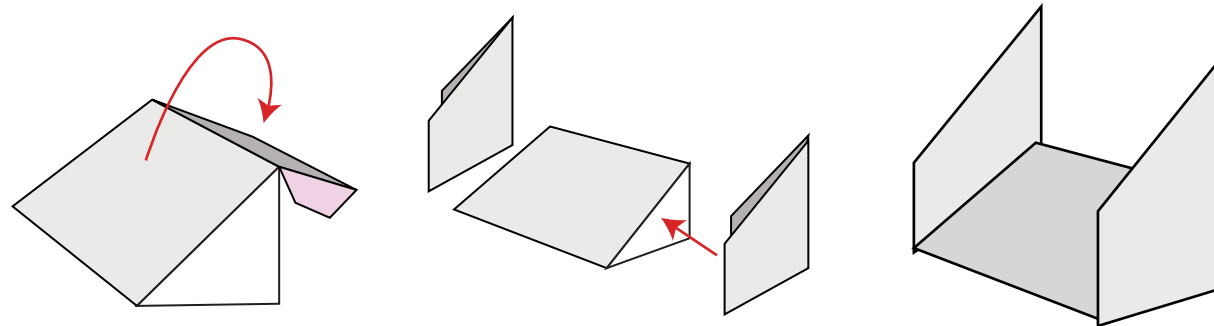
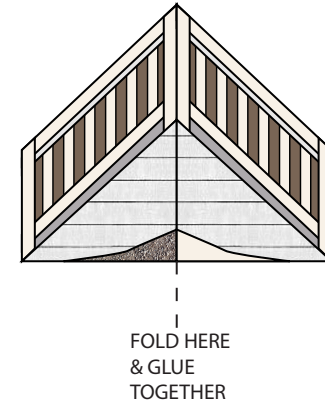
STAIRS (OPTIONAL)

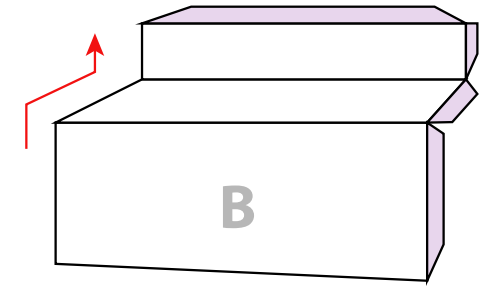
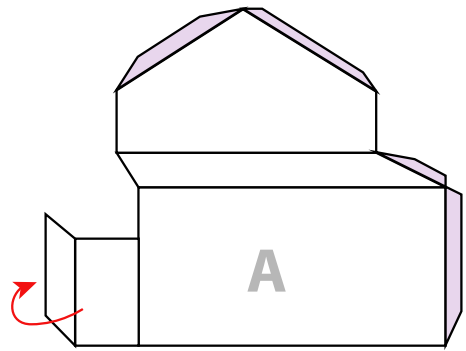
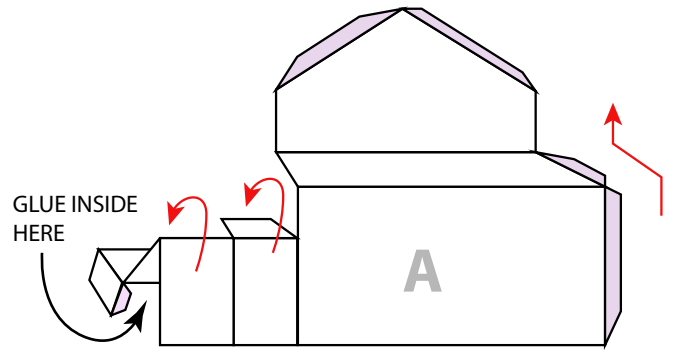


STAIRS a

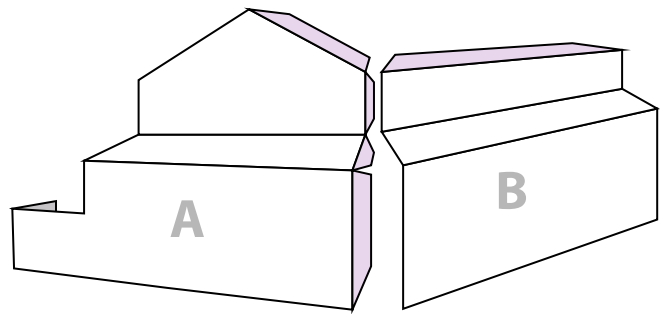


STAIRS b

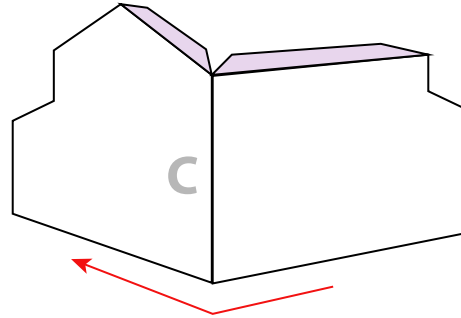




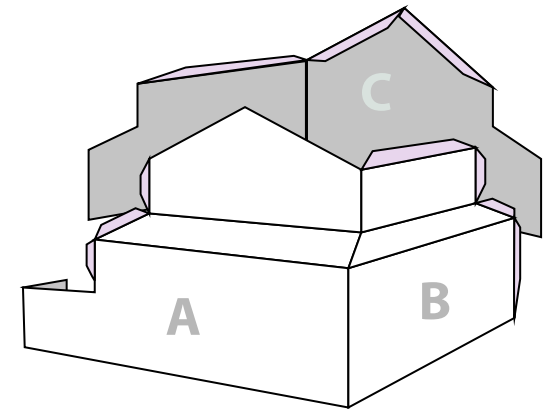
GLUE "A" and "B" TOGETHER



FOLD "C"

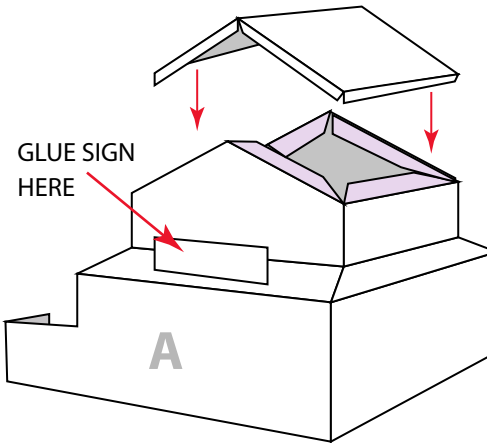
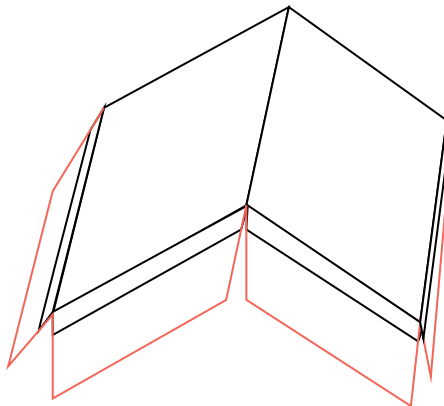


GLUE "A-B" to "C"



ROOF

FOLD DOWN THE AREA MARK WITH RED, CUT EXCESS OF PAPER (AFTER FOLDING!) LEAVING JUST THE FOLDED EAVES



ADD STAIRS (OPTIONAL)

