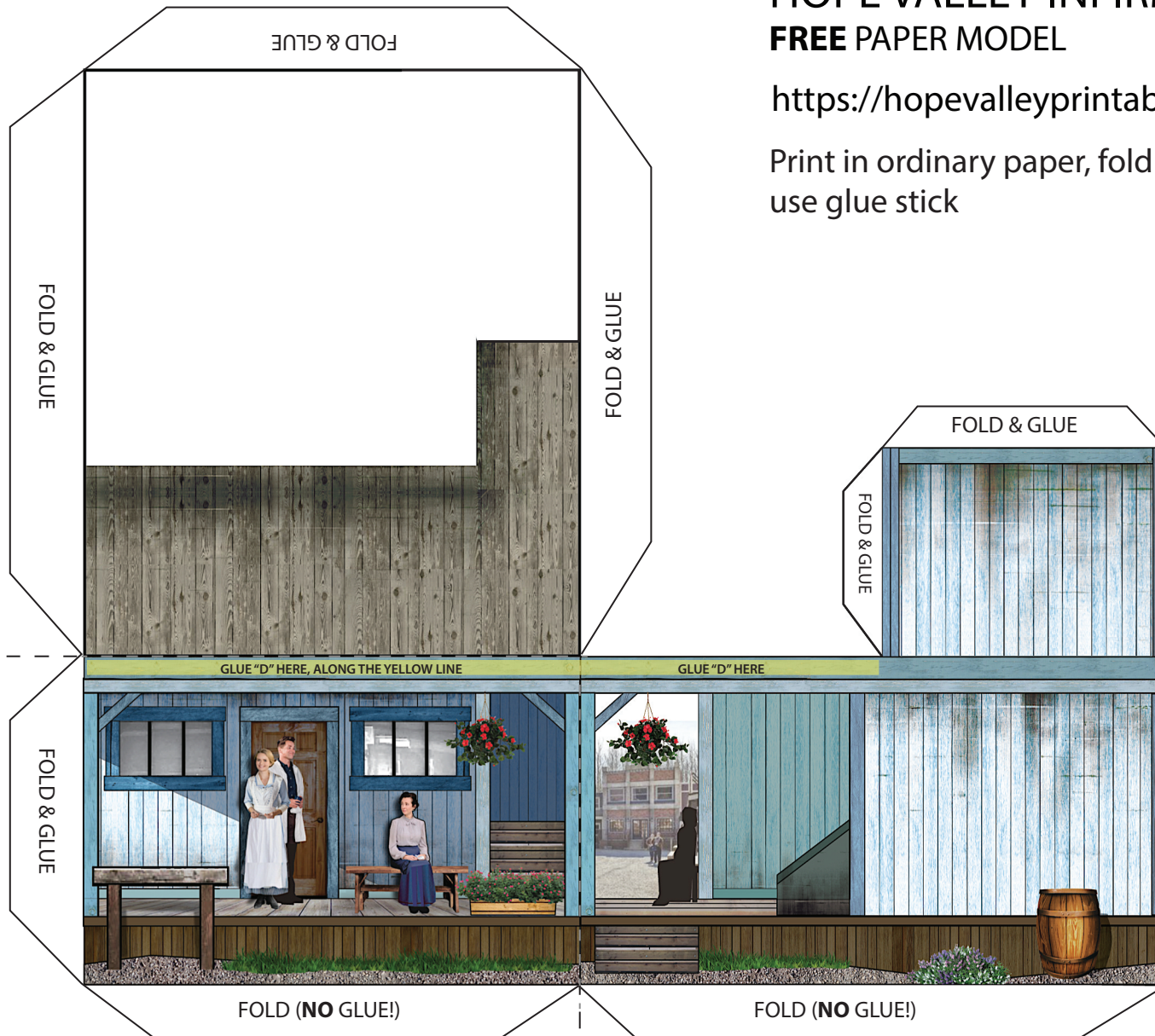


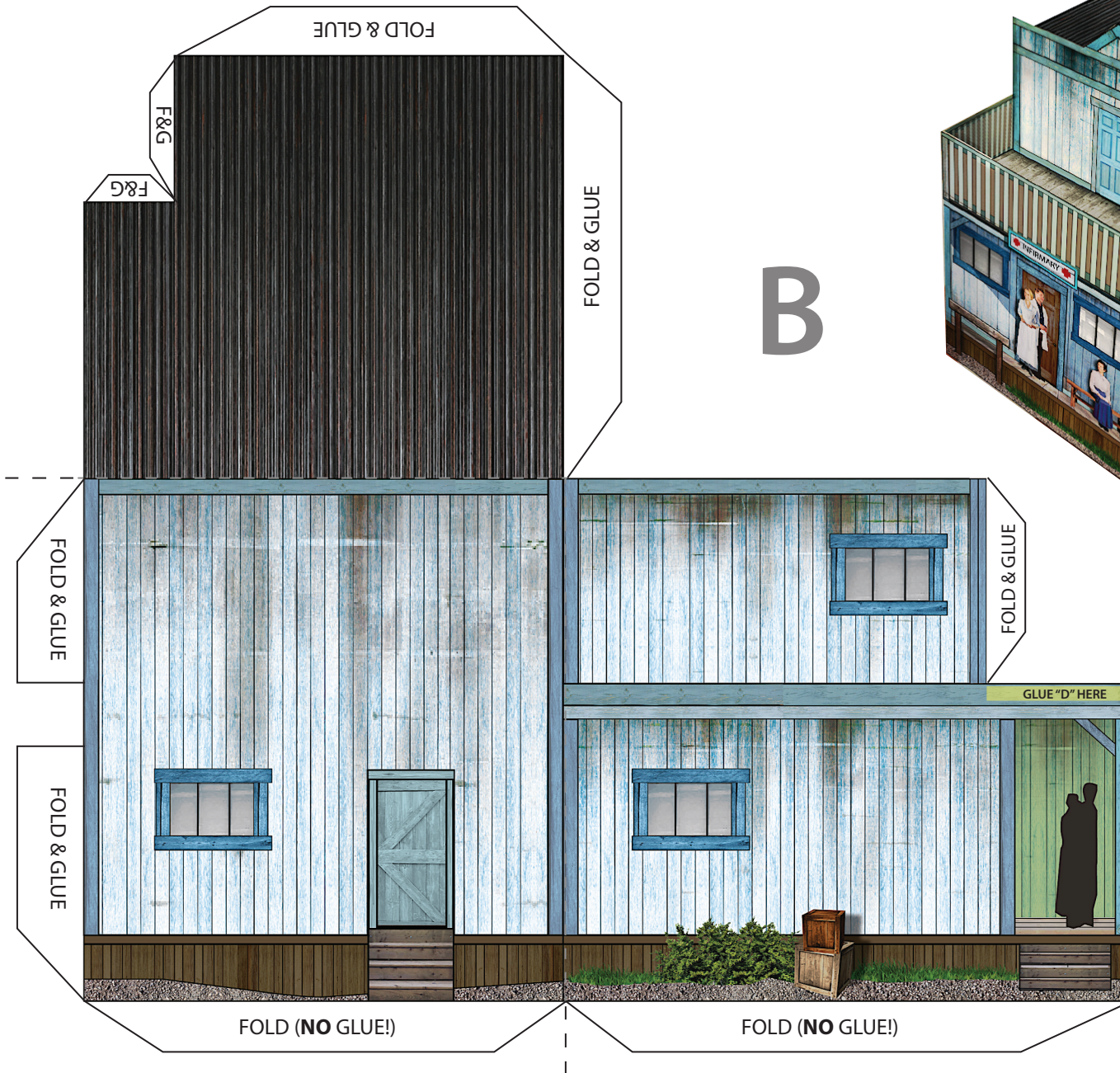
# HOPE VALLEY INFIRMARY

## FREE PAPER MODEL

<https://hopevalleyprintables.wordpress.com>

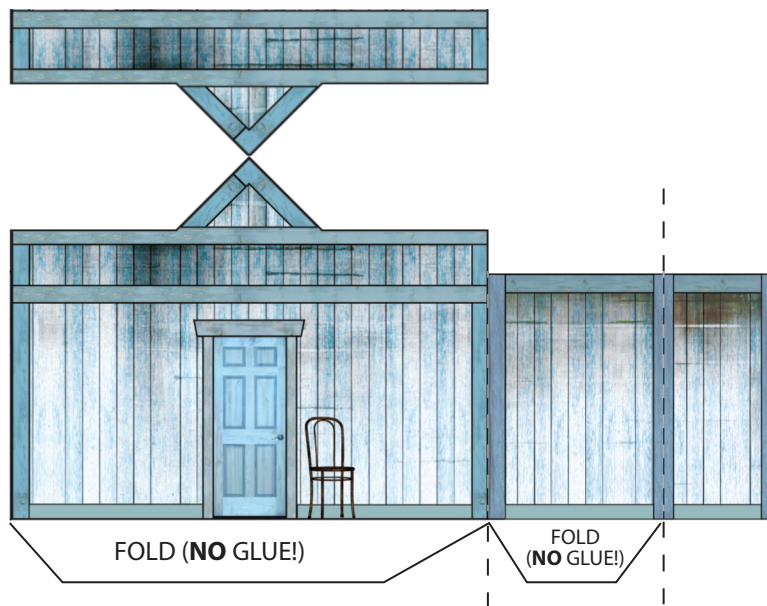
Print in ordinary paper, fold on all dotted lines,  
use glue stick



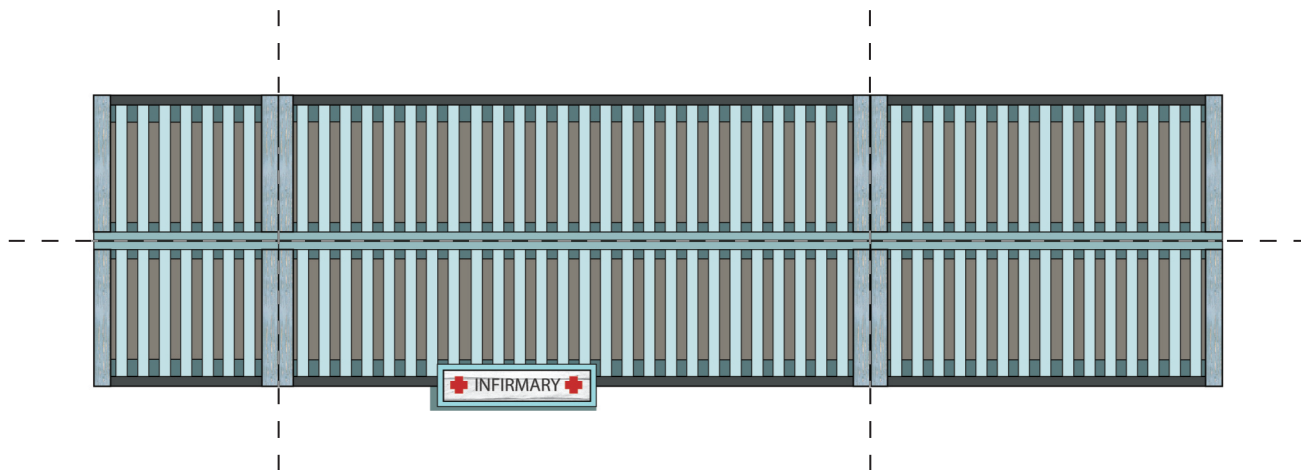


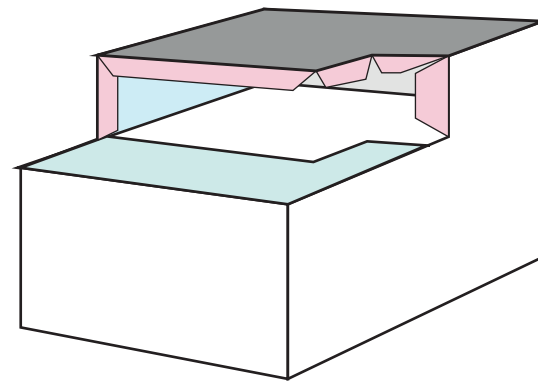
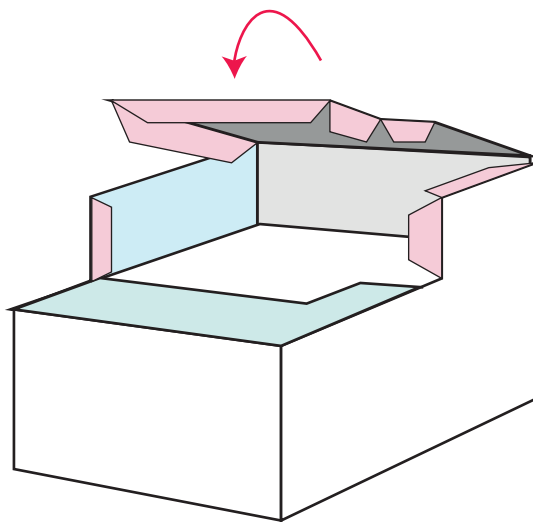
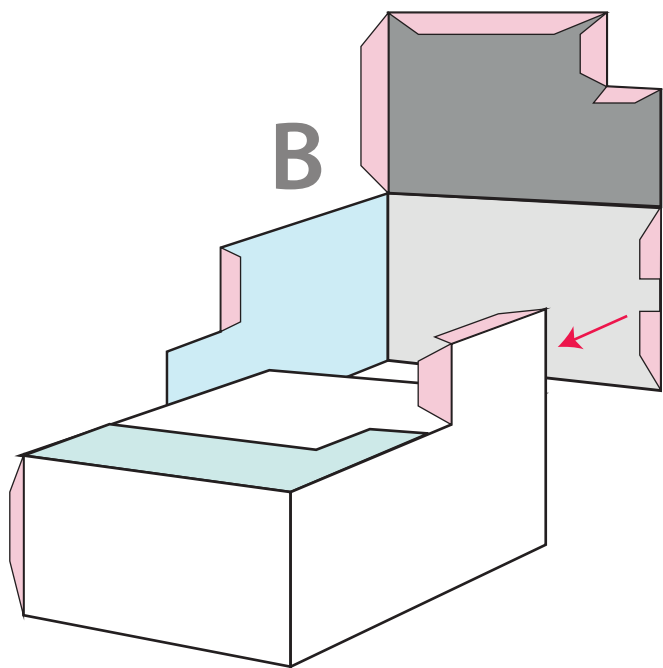
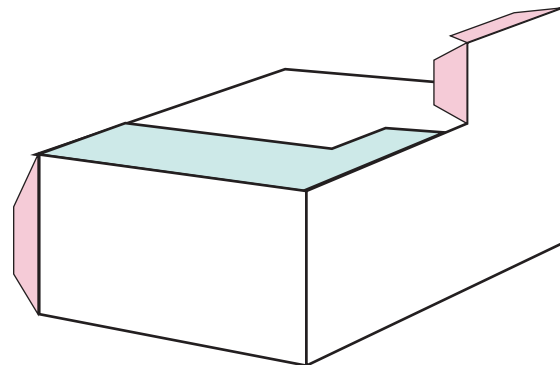
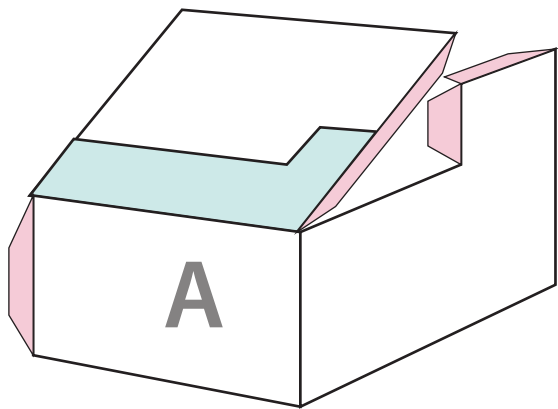


C

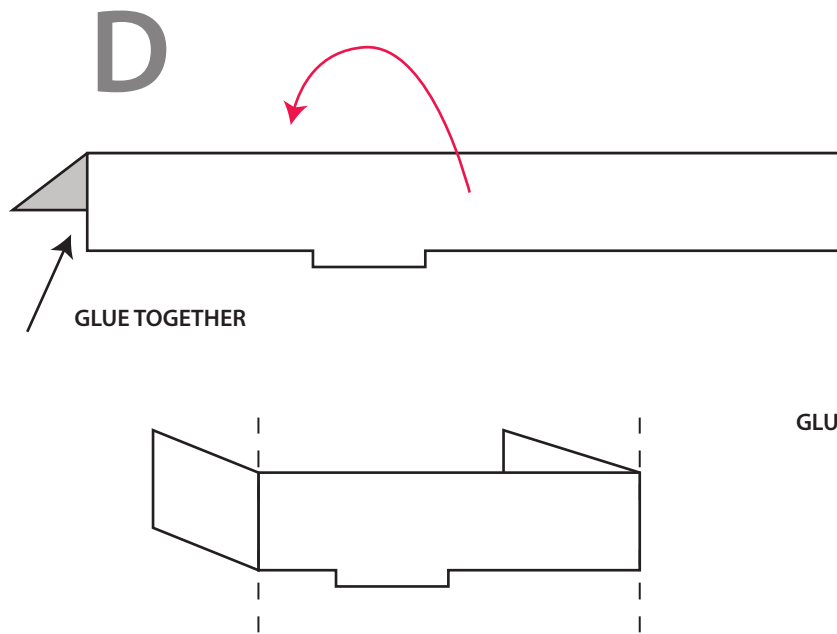
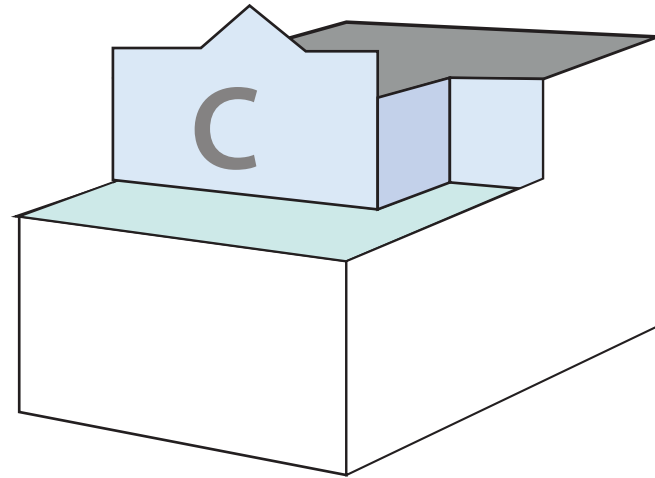
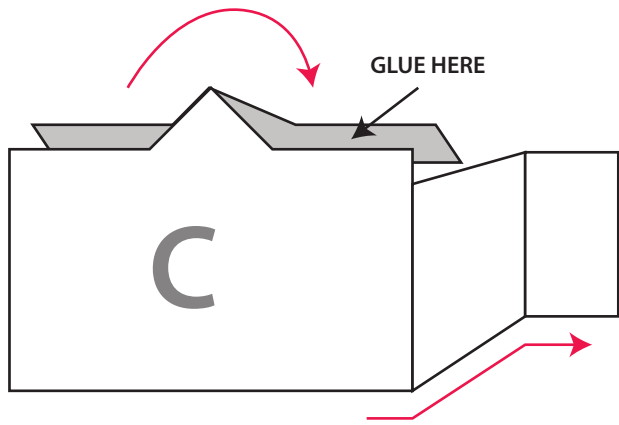


D









GLUE "D" ALONG THE YELLOW LINE

